

Sheet 1 (Parts: 100-199)

Supply & Triangle.sch

Sheet 2 (Parts: 200-299)

Current Limiter.sch

Sheet 3 (Parts: 300-399)

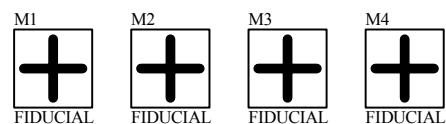
Channel Left.sch

Sheet 4 (Parts: 400-499)

Channel Right.sch

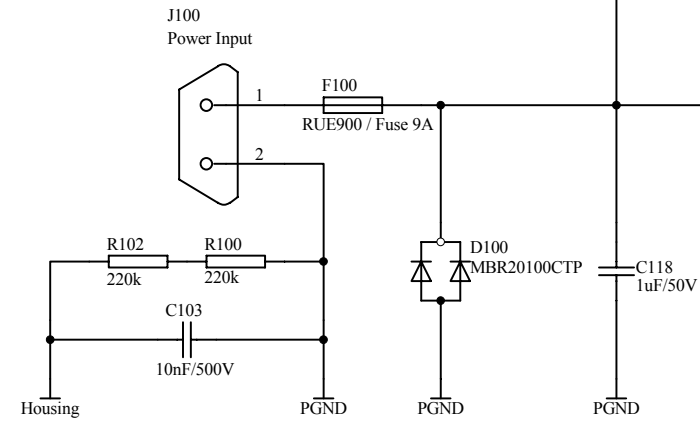
All Rights reserved - Copyright reserved.

Fiducials

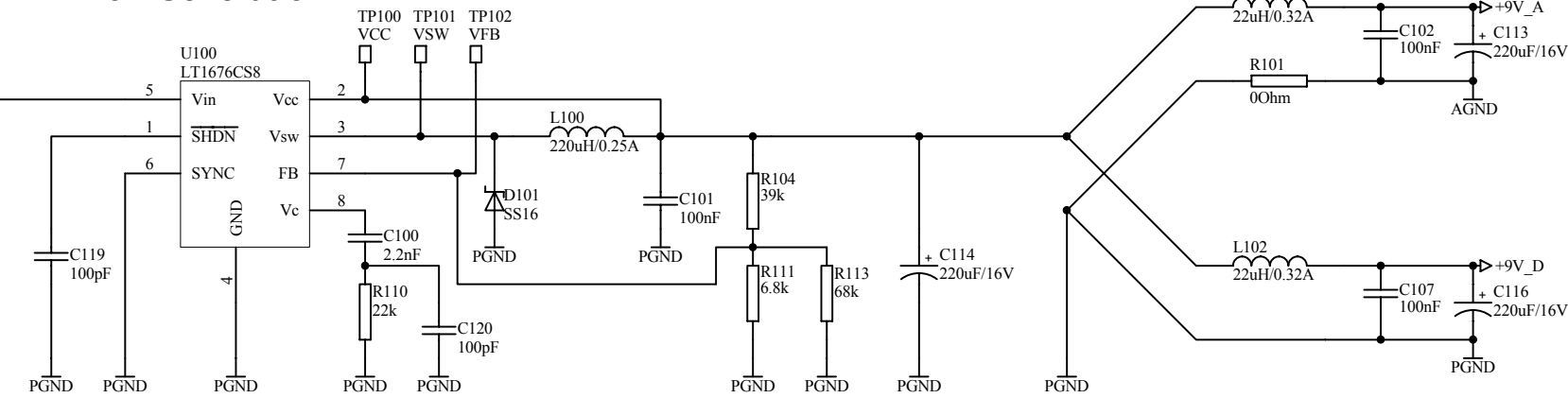


Project: CDAMP 200 Power Board		wicTronic	
Doc. No.: MP-0000-01	Sheet: 0 of 4	www.wictronic.ch	
Revision: 02	Creator: Stefan Wicki	Created: 10-Apr-07	
Eff. Date: 13-May-07		Printout Date: 13-May-2007	
Filename: CDAMP Rev 02.prj			

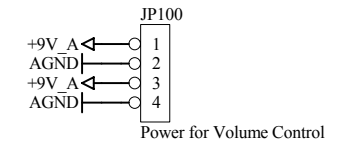
Supply (Input: 12V - 30V)



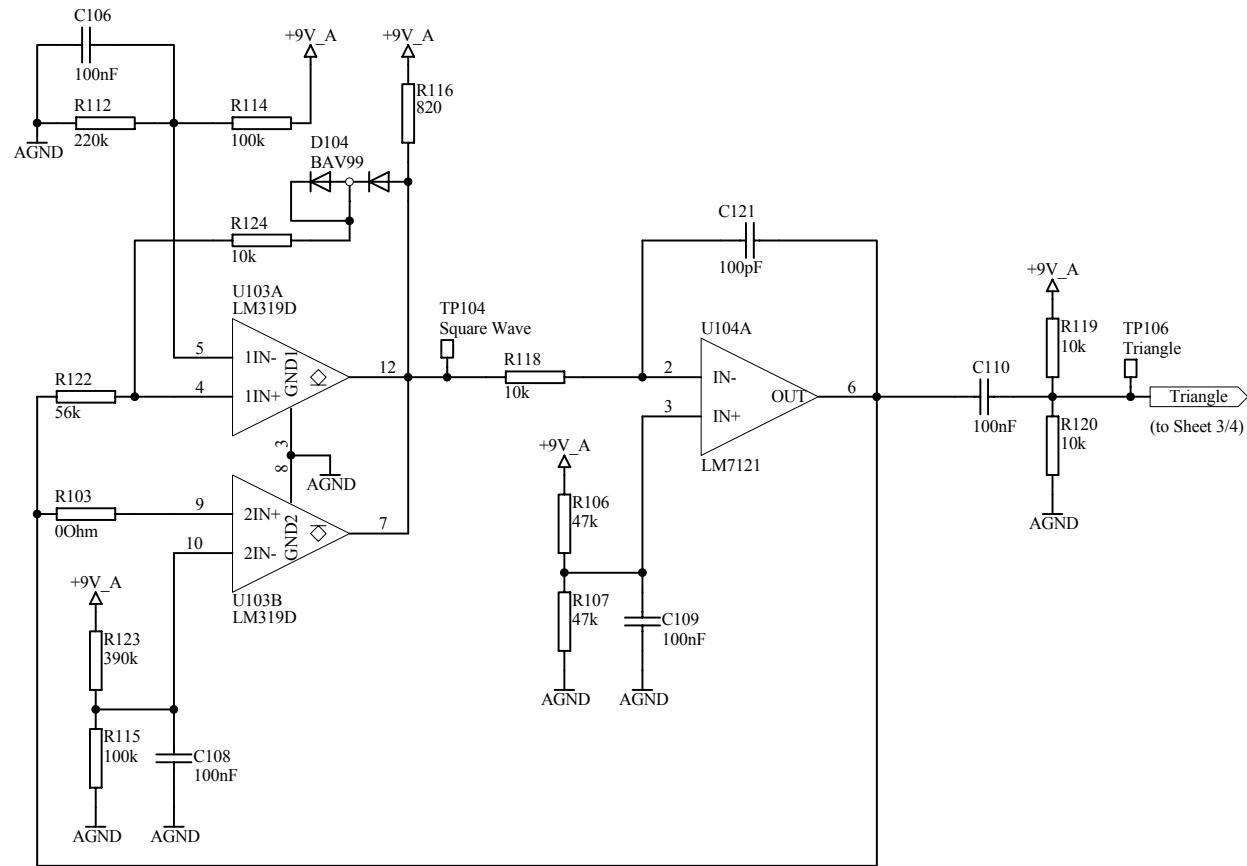
9V Generation



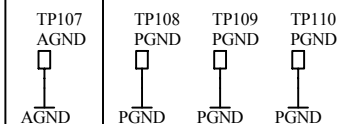
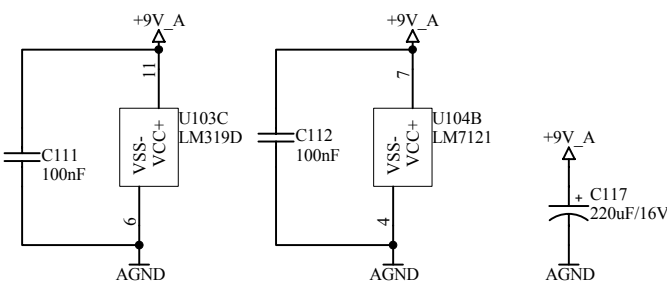
Power Connector (to Volume Control PCB)



Triangle Generator (330kHz)



All Rights reserved. - Copyright reserved.

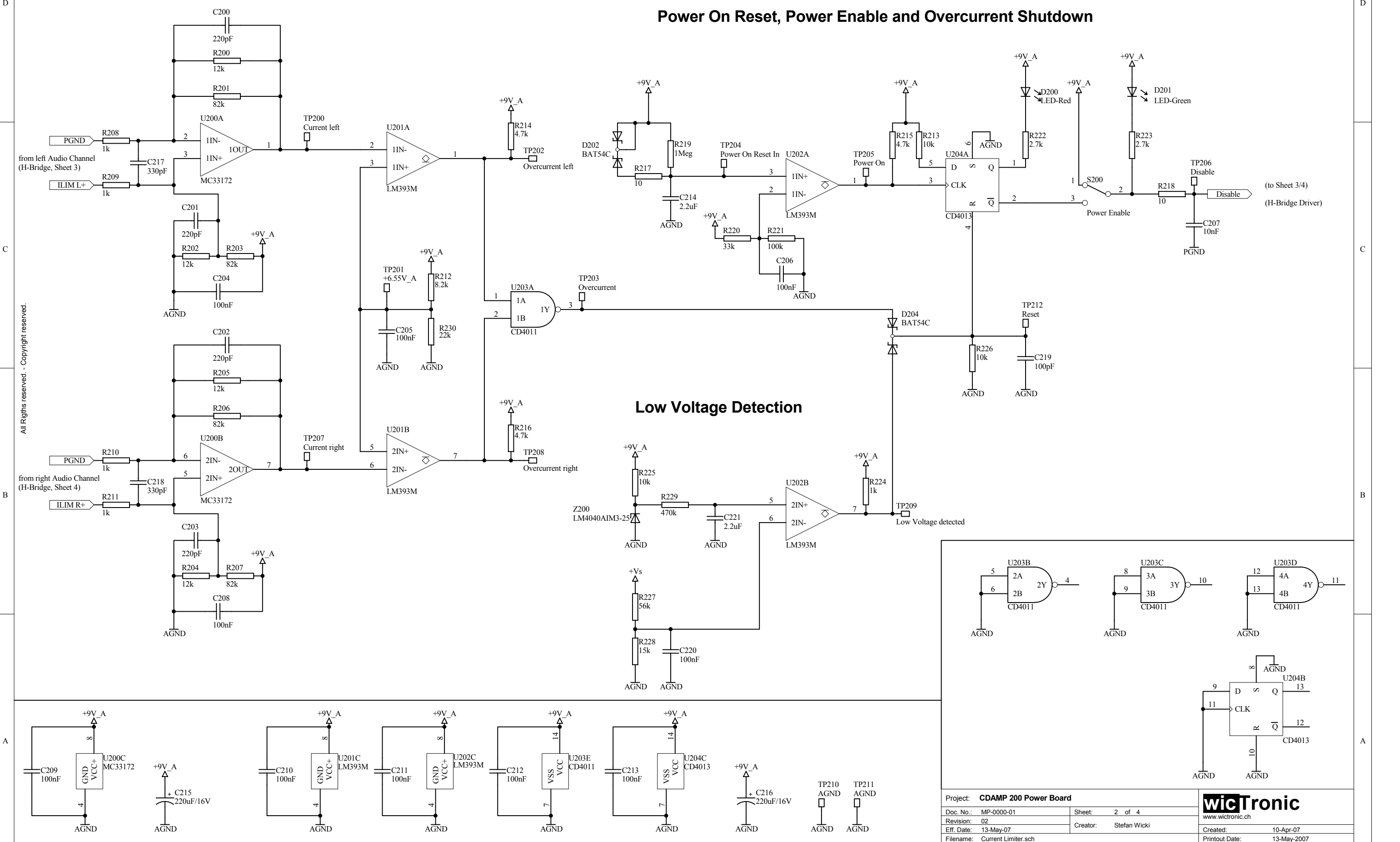


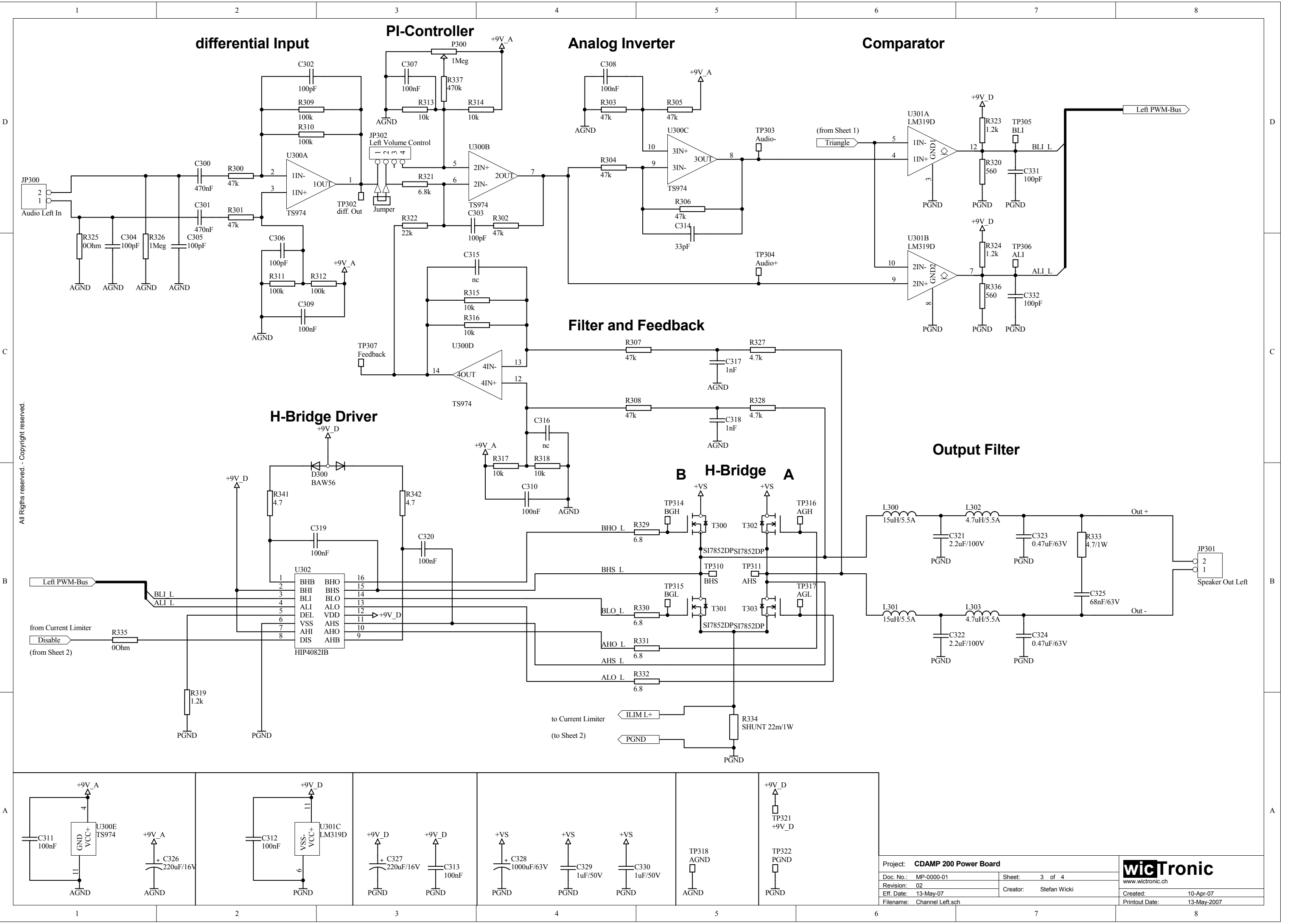
Project: CDAMP 200 Power Board		wicTronic www.wictronic.ch	
Doc. No.: MP-0000-01	Sheet: 1 of 4		
Revision: 02	Creator: Stefan Wicki	Created: 10-Apr-07	Printout Date: 13-May-2007
Eff. Date: 13-May-07	Filename: Supply & Triangle.sch		

Overcurrent Detection

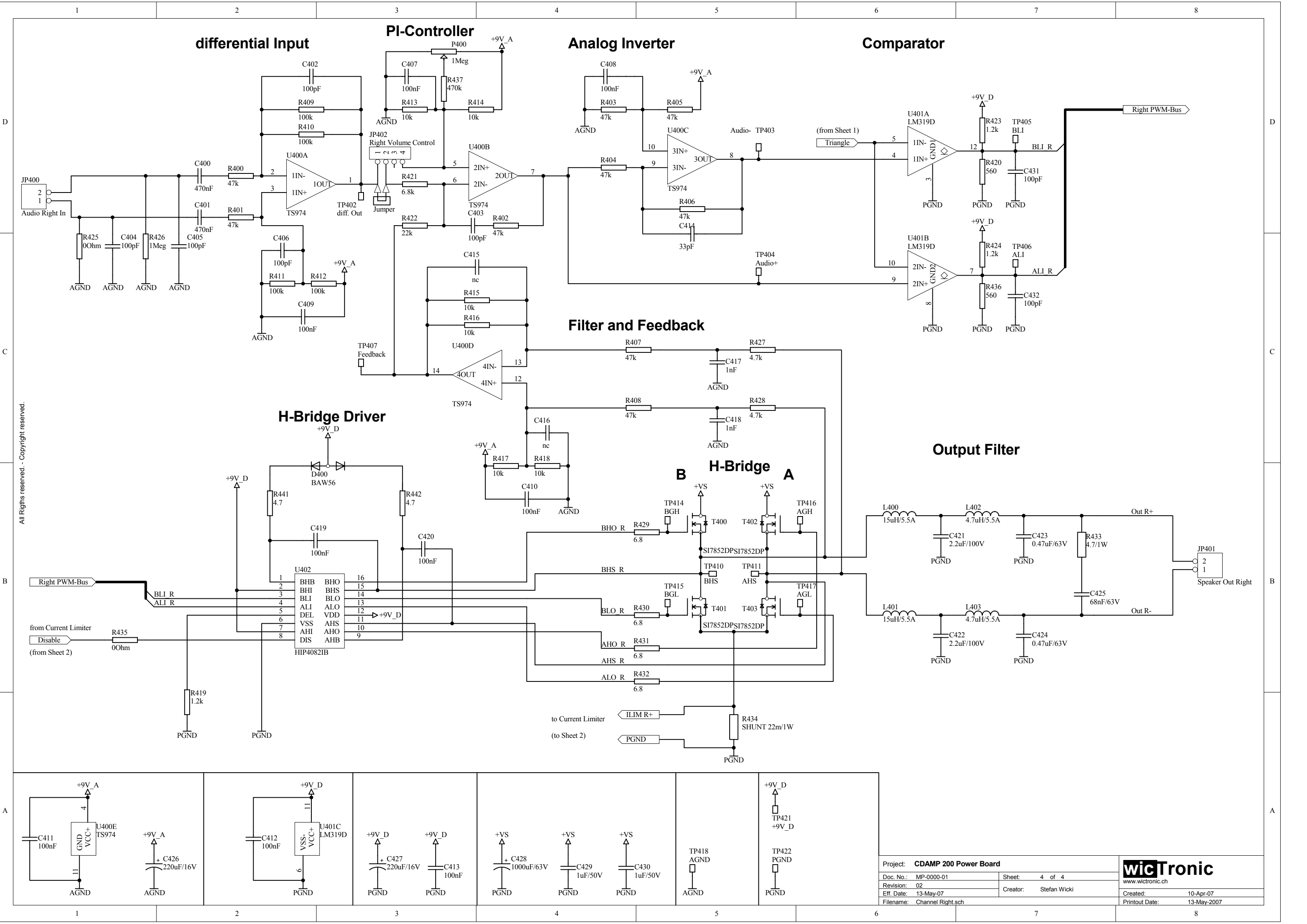
Power On Reset, Power Enable and Overcurrent Shutdown

Low Voltage Detection





All Rights reserved - Copyright reserved.



All Rights reserved. - Copyright reserved.