

1

2

3

4

5

6

7

8

D

D

Sheet 1 (Parts: 100-199)

Sheet 2 (Parts: 200-299)

Supply & Triangle.sch

Controller.sch

C

C

All Rights reserved. - Copyright reserved.

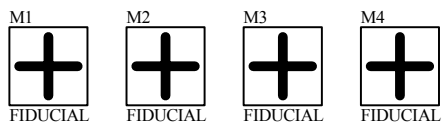
B

B

A

A

Fiducials



Project: Levitron 50 Power Board		wicTronic	
Doc. No.: MP-0002-00	Sheet: 0 of 2	www.wictronic.ch	
Revision: 01	Creator: Stefan Wicki	Created: 4-Oct-2004	
Eff. Date: 30-June-08	Printout Date: 30-Jun-2008		
Filename: Levitron 50.prj			

1

2

3

4

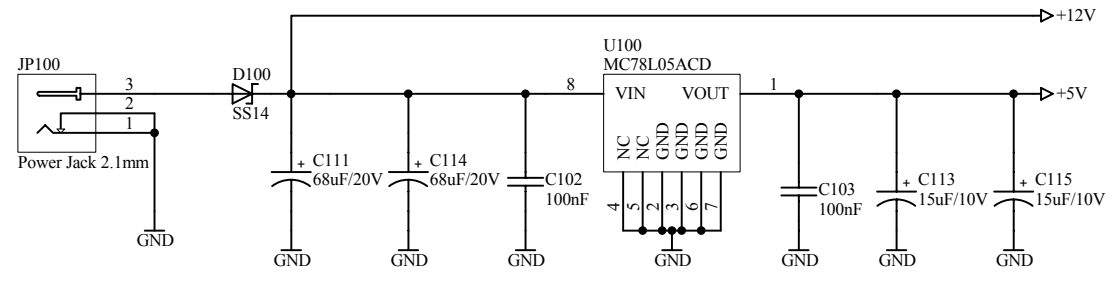
5

6

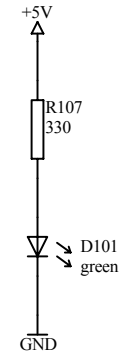
7

8

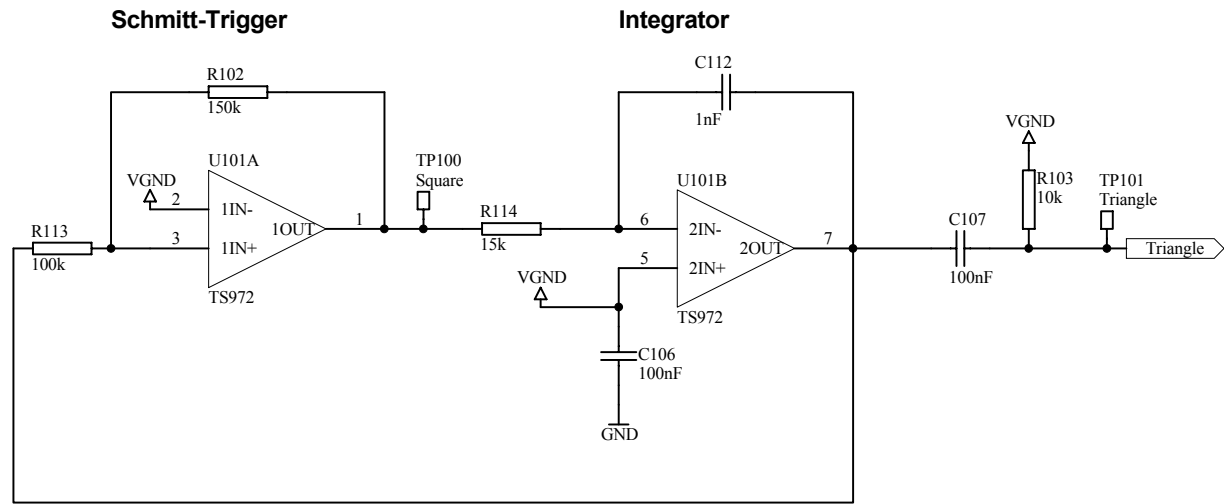
Power Input and 5V Generation



Power (5V) Good



Triangle Generator (ca. 20kHz)

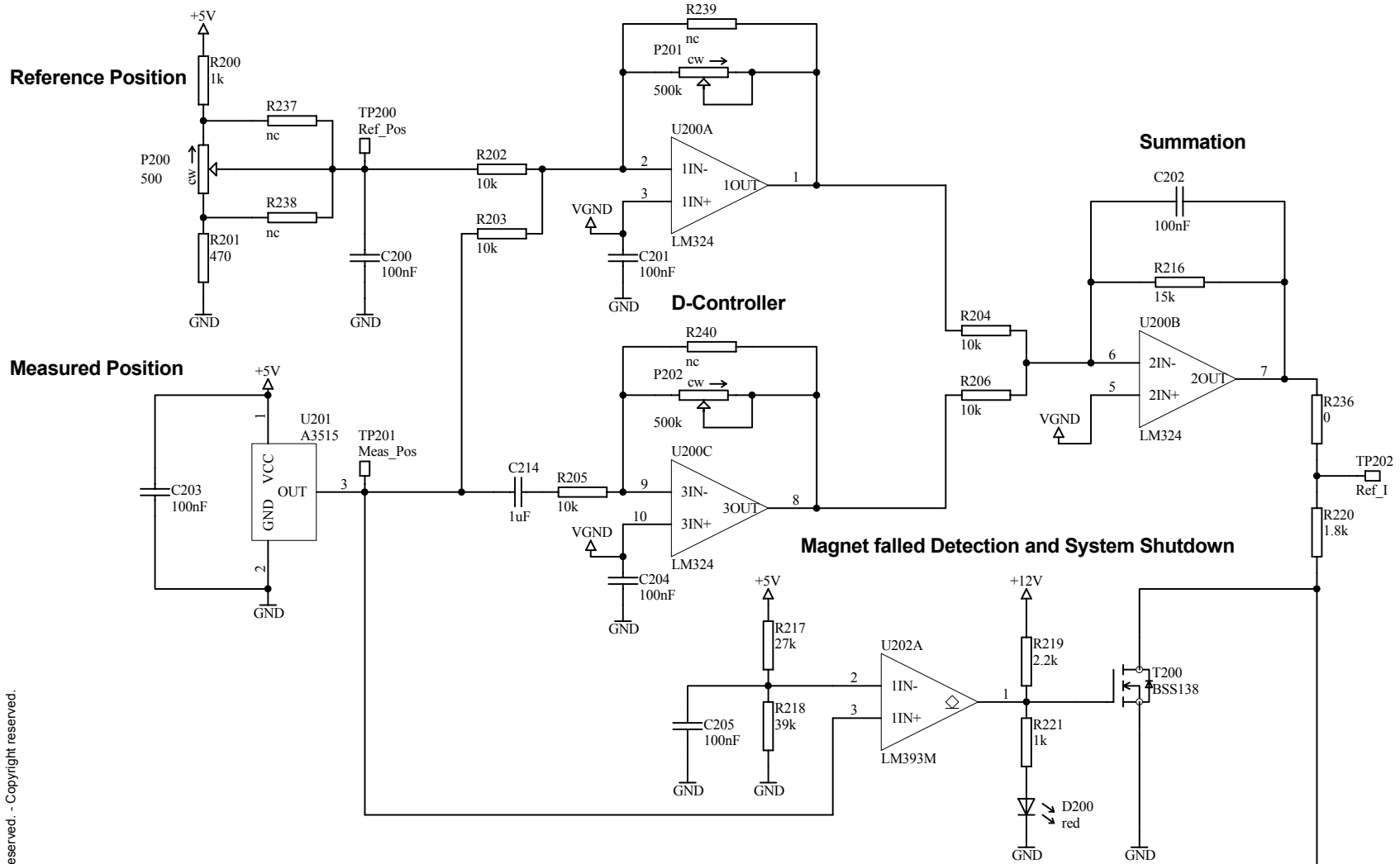


All Rights reserved. - Copyright reserved.

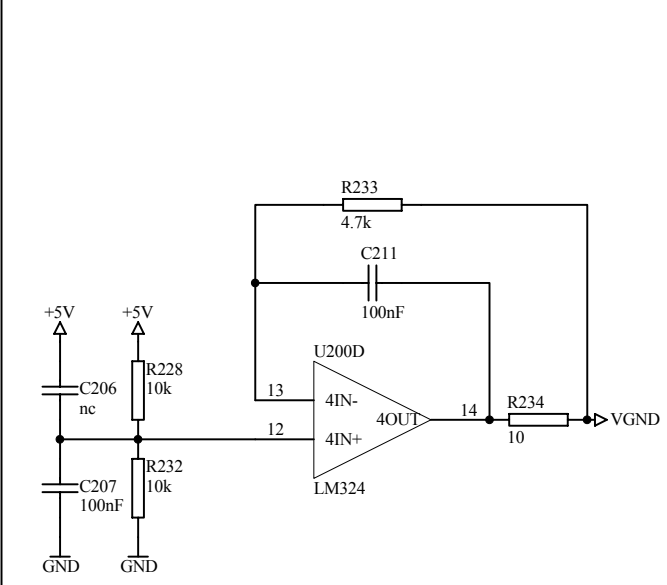


Project: Levitron 50 Power Board		wicTronic www.wictronic.ch	
Doc. No.: MP-0002-00	Sheet: 1 of 2		
Revision: 01	Creator: Stefan Wicki		
Eff. Date: 30-June-08	Created: 4-Oct-2004		
Filename: Supply & Triangle.sch	Printout Date: 30-Jun-2008		

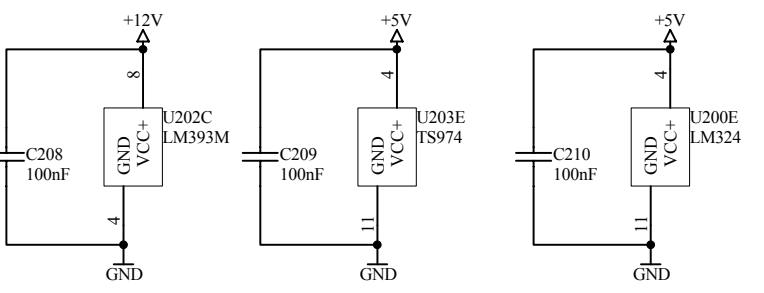
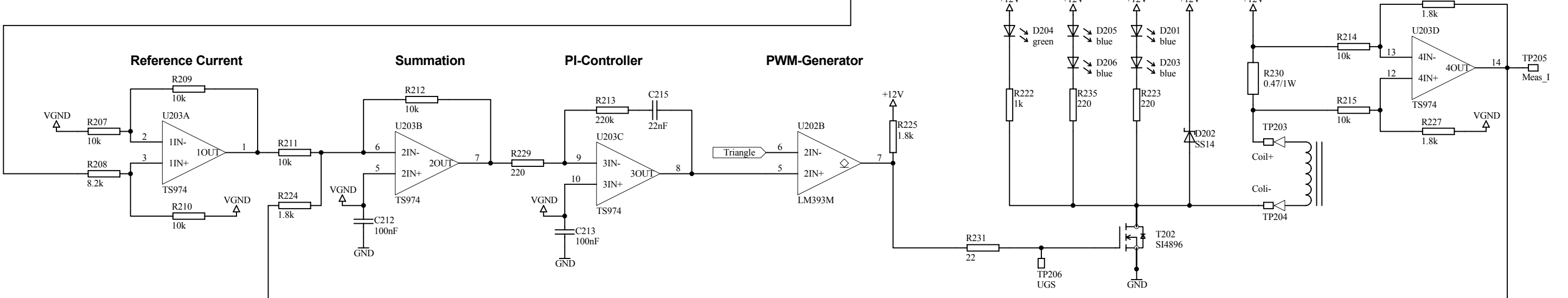
PD - Position Controller



virtual Ground Generation (VGND, 2.5V)



PI - Current Controller



All Rights reserved. - Copyright reserved.